



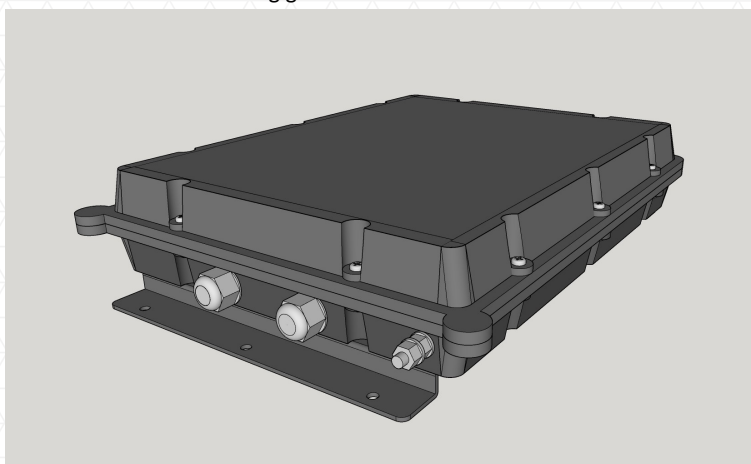
MSRA235

Automatic Antenna Tuning Unit suitable for the HF Band

The MSRA ATU features microprocessor controlled switching of lumped C and L. Many different configurations of Pi or L networks are possible. No connection to the transceiver other than the RF coaxial cable and a 12 volt supply is required. A switched low control line output is provided to operate a remote tuned indicator if required. Connection for the earth system is also provided.

The unit is housed in a weatherproof case; being designed for external operation close by the antenna feed point. All external connections are by way of stainless steel terminals or sealing glands.

The system is DC isolated.



SPECIFICATIONS ▼

STANDARD

Colour	Black
Frequency Range	1.8 - 30 MHz (with suitable Moonraker Antenna)
VSWR	better than 2:1 (typical)
Input Impedance	50Ω
Power Capability	3 - 500 watts PEP / 200 watts CW
DC Input	13.8 v DC required (typical)
DC Operating Range	12 - 15v DC, 0.9 Amps average
Tuning Time (random)	Less than 2 seconds (typical)
Retune Time	Less than 10 milliseconds (typical)
Operating Temperature	-35 degrees C to +70 degrees C
Size	406L x 305W x 76H mm
Packed Weight	4.0Kg



CBG Systems

9 Bender Drive, Derwent Park
Tasmania, AUSTRALIA 7009

T +61 3 6272 6105

F +61 3 6273 1716

E info@cbgsystems.com

www.cbgsystems.com

MSRA235 Wiring Interface					
CURRENT 1/10/2021		29/9/20 - 30/9/2021		Pre 29/9/2020	
MSRA235 Wiring Colour	Function	MSRA235 Wiring Colour	Function	MSRA235 Wiring Colour	Function
Red	12 - 15v	Red	12-15v	Red	12-15v
Black & Shield	DC Ground	Black	Ground	Black	Ground
Blue	reset	Blue	Reset/Hold	Blue	Reset/Hold
Green	Tuned	Green	Tuned	Green	Tuned
Brown	PTT IN	Brown	PTT Out (linear)	Gray	PTT Out (linear)
White	Hold	White	Hold	White	Hold
Purple	Ground	Black yellow stripe	DC Ground	Black yellow stripe	DC Ground
Yellow	PTT Out (linear)				

* Note DC and DC Ground may be connected together.

Moonraker products represent the pinnacle of antenna design. With over 45 years' experience supplying Defence, Commercial and Recreational industries. Moonraker antennas are individually tuned and manufactured to our stringent extreme marine quality standards that ensure maximum performance and service life.

