



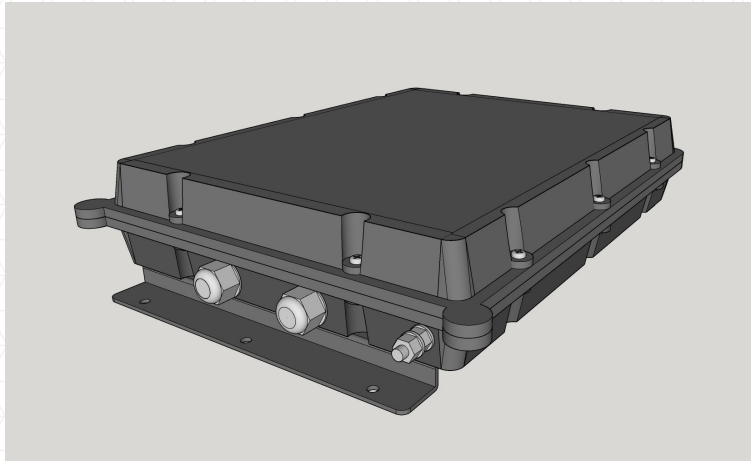
MSRA230

Automatic Antenna Tuning Unit suitable for the HF Band

The MSRA ATU features microprocessor controlled switching of lumped C and L. Many different configurations of Pi or L networks are possible. No connection to the transceiver other than the RF coaxial cable and a 12 volt supply is required. A switched low control line output is provided to operate a remote tuned indicator if required. Connection for the earth system is also provided.

The unit is housed in a weatherproof case; being designed for external operation close by the antenna feed point. All external connections are by way of stainless steel terminals or sealing glands.

The system is DC isolated.



SPECIFICATIONS ▼

STANDARD

Colour	Black
Frequency Range	1.8 - 30 MHz (with suitable Moonraker Antenna)
Antenna Lengths	For 2-30 MHz shortest unloaded antenna Type 22W; loaded antennas will allow shorter length types; long wire antennas should be at least 8m (25ft) for the low frequencies
VSWR	Better than 2:1 (typical)
Input Impedance	50Ω
Power Capability	3 - 200 watts PEP / 80watts CW
DC Input	13.8 v DC required (typical)
DC Operating Range	12-15v DC, 0.9 Amps average
Tuning Time (random)	Less than 4 seconds (typical)
Retune Time	Less than 15 milliseconds (typical)
Operating Temperature	-35 degrees C to +70 degrees C
Size	406 x 292 x 83 mm
Packed Weight	4.0Kg



CBG Systems

9 Bender Drive, Derwent Park
Tasmania, AUSTRALIA 7009

T +61 3 6272 6105

F +61 3 6273 1716

E info@cbgsystems.com

www.cbgsystems.com

MSRA230 Wiring Interface

CURRENT 1/10/2021		29/9/20 - 30/9/2021		Pre 29/9/2020	
MSRA230 Wiring Colour	Function	MSRA230 Wiring Colour	Function	MSRA230 Wiring Colour	Function
Red	TBA	Red	12-15v	Red	12- 15v
Black	TBA	Black	Ground	Black	Ground
White	TBA	White	Reset/Hold	White/red stripe	Reset/Hold
Orange	TBA	Orange	Tuned	White / black stripe	Tuned

Moonraker products represent the pinnacle of antenna design. With over 45 years' experience supplying Defence, Commercial and Recreational industries. Moonraker antennas are individually tuned and manufactured to our stringent extreme marine quality standards that ensure maximum performance and service life.

