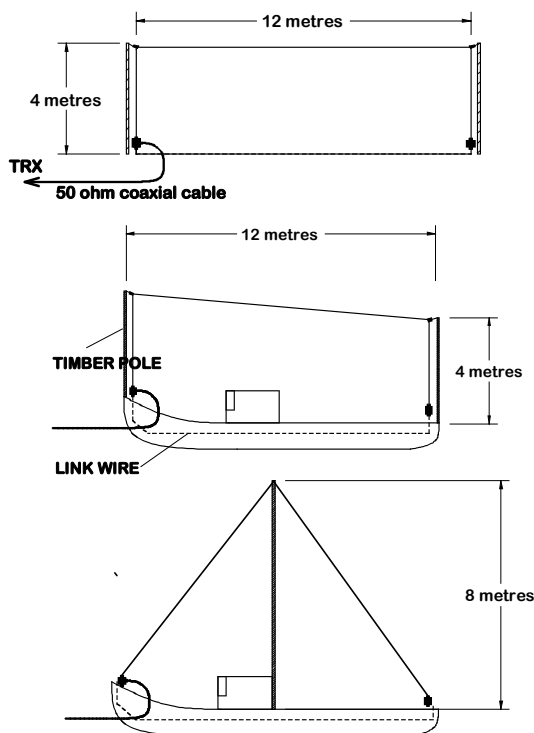




## Type HF FB3-30

### HF broadband wire marine antenna (No ATU required)

A compact efficient HF broadband shipboard antenna designed to provide effective short to medium range communications without the need for an antenna coupler, particularly for fishing boats 12 metres (40ft) or longer.



The HF FB3-30 antenna system is compact in size, easily erected in either a *horizontal* configuration from supports at the bow and stern of the vessel or in an inverted V configuration using the mast as a central support. In the horizontal configuration the mast supports may be level or sloping to maximise high level radiation for short range communications. Wooden masts are best and support insulators are provided. In the inverted V configuration a masthead insulator is provided to suspend the middle of the antenna from the mast.

The radiating element is stainless steel wire rope providing protection from environmental damage and ensuring long life. Fittings are also of stainless steel with high quality insulators. The antenna is supplied complete with all fittings, including a socket for connection of coaxial cable to transceiver. Coaxial cable is not supplied.

A higher power 1kW PEP version is also available.

The system provides efficient communications over the HF range from 3 to 30 MHz without an ATU (coupler).

## SPECIFICATIONS

<b>Antenna Length</b>	20m (65.6ft)
<b>Frequency Range</b>	3-30 MHz
<b>Impedance</b>	50 $\Omega$ (nominal)
<b>VSWR</b>	<2.5:1
<b>Radiation Pattern</b>	High angle omnidirectional (azimuth)
<b>Power Capability</b>	standard version 100w CW, 250w PEP; high power version 300w CW, 1kW PEP
<b>Connector</b>	UHF SO239 socket
<b>Connection</b>	via coaxial cable (option)
<b>Minimum Vessel Length</b>	12 metres (40ft)
<b>Recommended Height</b>	Inverted V: 1 mast, 6m (20ft) minimum at centre Horizontal: 2 masts, 4m (13ft) minimum at centre
<b>Gain (maximum)</b>	better than 5dB
<b>Wind Rating</b>	210 km/h (130 mph)
<b>Weights</b>	standard version - Unpacked: 2.2 kg (4.4 lbs); packed: 2.5kg (5.5 lbs) high power version – unpacked: 3.6kg (7.92 lbs); packed 4kg (8.8kg)
<b>Packed Size</b>	590 x 295 x 85mm (23 x 11.6 x 3.3 in)

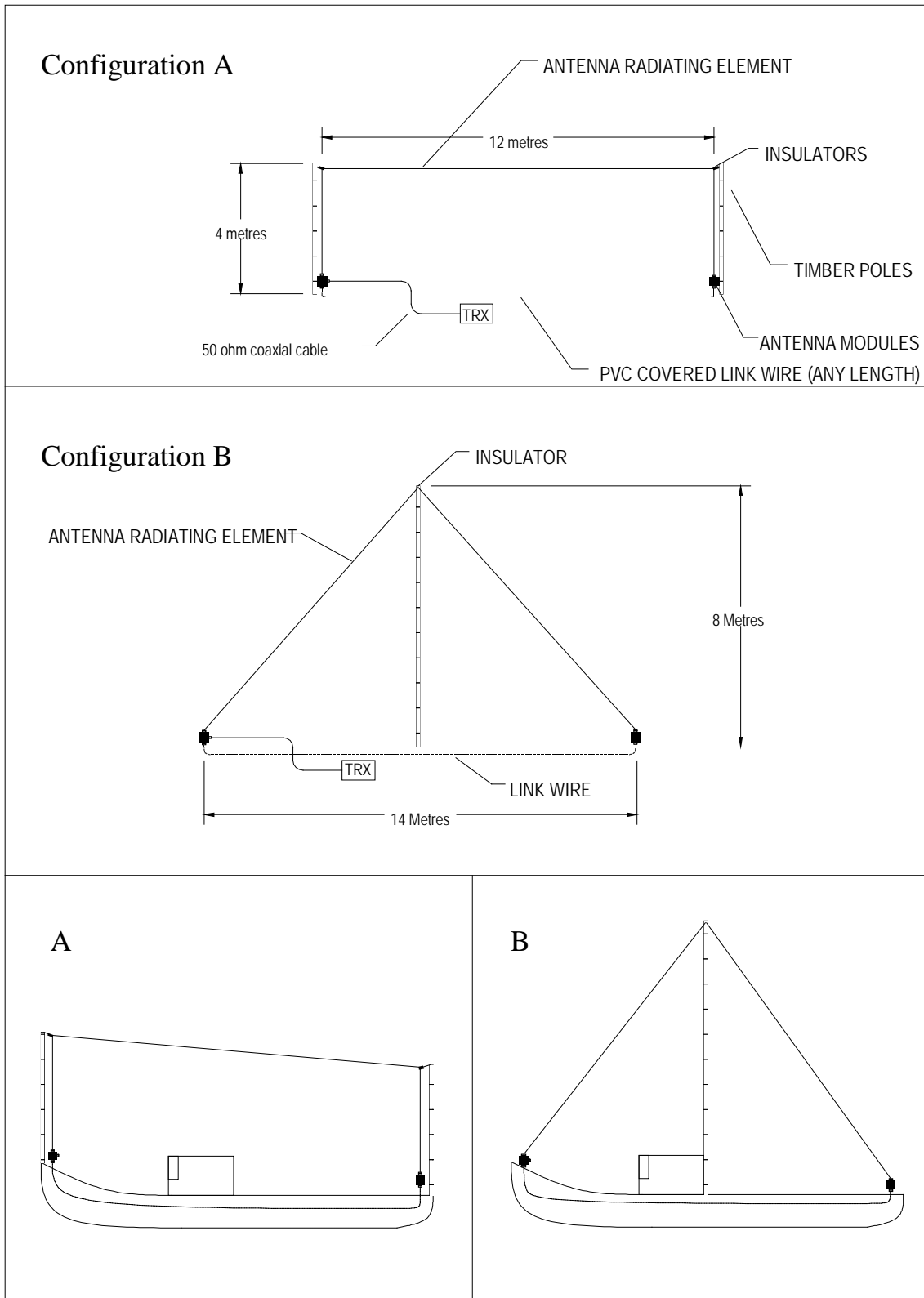
Specifications subject to change – Issued 01/09/13

Moonraker Australia Pty. Ltd. ABN 70 162 868 475  
Tasmanian Technopark, Dowsing Point, Tasmania, Australia 7010

Website: [www.moonraker.com.au](http://www.moonraker.com.au) Tel: 61 (0)3 6273 1533 Fax: 61 (0)3 6273 1749 Email: [radiocom@moonraker.com.au](mailto:radiocom@moonraker.com.au)



# TYPE HF FB3-30 INSTALLATION INSTRUCTIONS:



Note that the dimensions shown are not critical and other configurations will also work.  
**IMPORTANT** – Do not cut or shorten the antenna radiating element.